



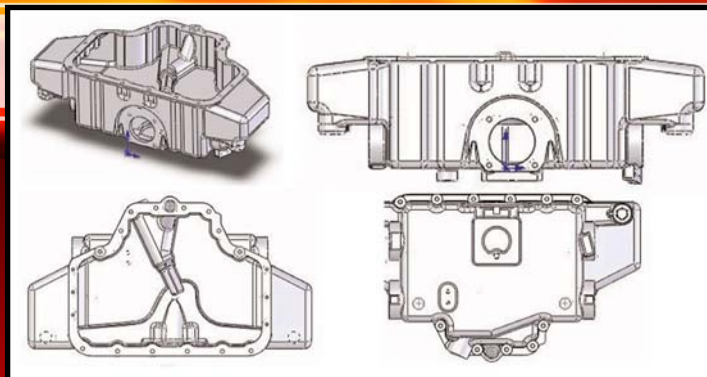
Front Servo Oil Sump

Fits most parallel valve 320 & 360 Lycoming Engines

\$2,212.50

Complete Oil Sump Assembly & Intake Pipes

**Includes: Oil Sump Assembly
& Four Stainless Steel Intake Pipes**



Manufactured by Aviation Product Systems, Inc

Description	320	360	Price Each
Front Servo Sump (Fits 320 & 360)	APS-74284AXP		\$1496.25
Front Servo Sump with intake pipes	APS-74284AXP-32	APS-74284AXP-36	\$2212.50
Intake Pipes Only			
Number 1 Cylinder	APS-42E3201XP	APS-42E22611XP	\$274.31
Number 2 Cylinder	APS-42E3202XP	APS-42E22612XP	\$274.31
Number 3 Cylinder	APS-42E3203XP	APS-42E22613XP	\$274.31
Number 4 Cylinder	APS-42E3204XP	APS-42E22614XP	\$274.31
	Note: Intake pipes for use with APS-74284AXP		