

**TABLE ONE  
4300 SERIES OVERHAUL PARTS  
REPLACEMENT LIST**

The following parts must be replaced at overhaul. Additional parts may require replacement depending on conditions as determined during magneto inspection. Install only Unison Replacement Parts.

Use only genuine Unison manufactured parts obtained from Unison approved sources. Genuine Unison parts are produced and inspected under rigorous procedures to insure airworthiness and suitability in Slick magnetos. Parts purchased from sources other than Unison Industries, even though outwardly identical in appearance may not have had the required tests and inspections performed, may be different in fabrication techniques and materials, and may be dangerous when installed in a Slick magneto. Salvaged magneto parts, reworked parts obtained from non-Unison approved sources, or parts the service history of which is unknown or cannot be authenticated, may have been subjected to unacceptable stresses or temperatures, or have other hidden damage, not discernible through routine visual or usual nondestructive testing techniques. This may render service work with this part, even though originally manufactured by Unison Industries, unsuitable or unsafe for use in a Slick magneto. Unison Industries expressly disclaims any responsibility for malfunctions, failures, damage or injury caused by use of non-Unison approved parts.

Slick magnetos are engineered to that mechanical parts wear at a balanced rate. Consistent and complimentary wear patterns establish the recommended maintenance intervals defined in Unison service literature, therefore used, service worn parts should never be used to troubleshoot or repair a magneto, not should original parts be replaced by used service worn parts on magnetos being returned to service. Further, non-Unison manufactured parts may wear at uneven and different rates than original Unison manufactured parts, making Unison service literature an inappropriate guide to proper maintenance. Parts not manufactured by Unison Industries, even if FAA/PMA Approved may not fit or operate like original Unison manufactured parts. FAA testing of PMA parts does not require operation on an engine or flight tests and does not require the test duration to exceed the maintenance intervals called out in Unison literature. For these reasons, used service worn parts or parts not manufactured by Unison Industries may adversely affect magneto reliability in ways not anticipated by Unison Industries and its service literature.

<u>Description</u>	<u>Qty</u>
Condenser	1
Double Sealed Bearing	1
Bearing Cap Assembly	1
Coil	1
Impulse Coupling	1
Oil Seal	1
Contact Point Kit	1
Rotor Gear	1
Distributor Block & Gear	1

Reference Table Two "Parts Listing" for correct part number for a specified model magneto

ISSUED			REVISED		
MO	DAY	YR	MO	DAY	YR
04	01	91	02	28	06

**Unison Industries**  
530 Blackhawk Park Avenue  
Rockford, Illinois, U.S.A. 61104  
©2006 Unison Industries, Inc.

PAGE NO.	REVISION
T-1	C

**TABLE TWO**  
**4300 SERVICE PARTS LIST**  
 (Sheet 1 of 2)

Ref No.	Description	4301	4302	4303	4309	4310	4316	4330	4331	4333	4342	4344	4345	Qty. Used
1	Cotter Pin	M2556	M2556	M2556	M2556	M2556	M2556	M2556	M2556	M2556	M2556	M2556	M2556	1
2	Nut	M3019	M3019	M3019	M3019	M3019	M3019	M3019	M3019	M3492	M3019	M3019	M3019	1
3	Washer	M3172	M3172	M3172	M5372	M5372	M3172	M3172	M3172	-	M3172	M3172	M3172	1
4	Impulse Coupling Assy.	M3007	-	-	-	-	M3076	M3068	-	M3994	-	-	-	1
5	Oil Seal	M3062	M3062	M3062	M3062	M3062	M3062	M3062	M3062	M3062	M3062	M3062	M3062	1
6	Air Vent	M1077	M1077	M1077	M1077	M1077	M1077	M1077	M1077	M1077	M1077	M1077	M1077	1
7	Frame	M3859	M3900	M3859	M3900	M3900	M3888	M3888	M3900	M5002	M3900	M3900	M3900	1
8	Rotor	M3073	M3513	M3338	M3073	M3073	M3047	M3065	M3065	M5000	M3548	M3513	M3548	1
9	Bearing Kit	K3318-4	K3318-4	K3318-4	K3318-4	K3301	K3318-4	K3318-4	K3318-4	K3318-4	K3301	K3301	K3301	1
10	Ball Bearing	M3006	M3006	M3006	M3006	M3006	M3006	M3006	M3006	M3006	M3006	M3006	M3006	1
11	Bearing Cap Assy.	K3485	K3485	K3485	K3485	K3630	K3485	K3485	K3485	K3485	K3630	K3630	K3630	1
12	Bearing Cap Clamp	M3018	M3018	M3018	M3018	M3018	M3018	M3018	M3018	M3018	M3018	M3018	M3018	2
13	Screw	M3221	M3221	M3221	M3221	M3221	M3221	M3221	M3221	M3221	M3221	M3221	M3221	2
14	Contact Point Primary	M3081	M3081	M3081	M3081	M3637	M3081	M3081	M3081	M3081	M3637	M3637	M3637	1
15	Contact Point Secondary	-	-	-	-	M3637	-	-	-	-	M3740	M3740	M3637	1
16	Rotor Gear	M3827	M3827	M3827	M3827	M3827	M3827	M3827	M3827	M3827	M3827	M3827	M3827	1
17	Woodruff Key	M2536	M2536	M2536	M2536	M2536	M2536	M2536	M2536	M2536	M2536	M2536	M2536	1
18	Coil Wedge	M3040	M3040	M3040	M3040	M3040	M3040	M3040	M3040	M3040	M3040	M3040	M3040	2
19	Screw	M3020	M3020	M3020	M3020	M3020	M3020	M3020	M3020	M3020	M3020	M3020	M3020	1
20	Coil	K3975	K3975	K3975	K3975	K3975	K3975	K3975	K3975	K3975	K3975	K3975	K3975	1
21	Screw	M3021	M3021	M3021	M3021	M3021	M3021	M3021	M3021	M3021	M3021	M3021	M3021	1
22	Air Vent with Hood	M3084	M3084	M3084	M3084	M3084	M3084	M3084	M3084	M3084	M3084	M3084	M3084	1
23	Screw	M3015	M3015	M3015	M3015	M3015	M3015	M3015	M3015	M3015	M3015	M3015	M3015	3
24	Housing, Distributor	M3902	M3902	M3902	M3902	M3832	M3902	M3902	M3902	M3902	M3784	M3784	M3832	1
25	Capacitor	K3984	K3984	K3984	K3984	K3984	K3984	K3984	K3984	K3984	K3984	K3984	K3984	1
26	Dist. Block & Gear Assy.	K3822	K3822	K3822	K3822	K3822	K3822	K3822	K3822	K3822	K3822	K3822	K3822	1
27	Carbon Brush	M3215	M3215	M3215	M3215	M3215	M3215	M3215	M3215	M3215	M3215	M3215	M3215	1
28	Deleted													
29	Screw	M3021	M3021	M3021	M3021	M3021	M3021	M3021	M3021	M3021	M3021	M3021	M3021	2
30	Spacer	M3826	M3826	M3826	M3826	M3826	M3826	M3826	M3826	M3826	M3826	M3826	M3826	2

ISSUED			REVISED		
MO	DAY	YR	MO	DAY	YR
04	01	91	02	28	06

**Unison Industries**  
 530 Blackhawk Park Avenue  
 Rockford, Illinois, U.S.A. 61104  
 ©2006 Unison Industries, Inc.

PAGE NO.	REVISION
T-2	C

**TABLE TWO**  
**4300 SERVICE PARTS LIST**  
 (Sheet 2 of 2)

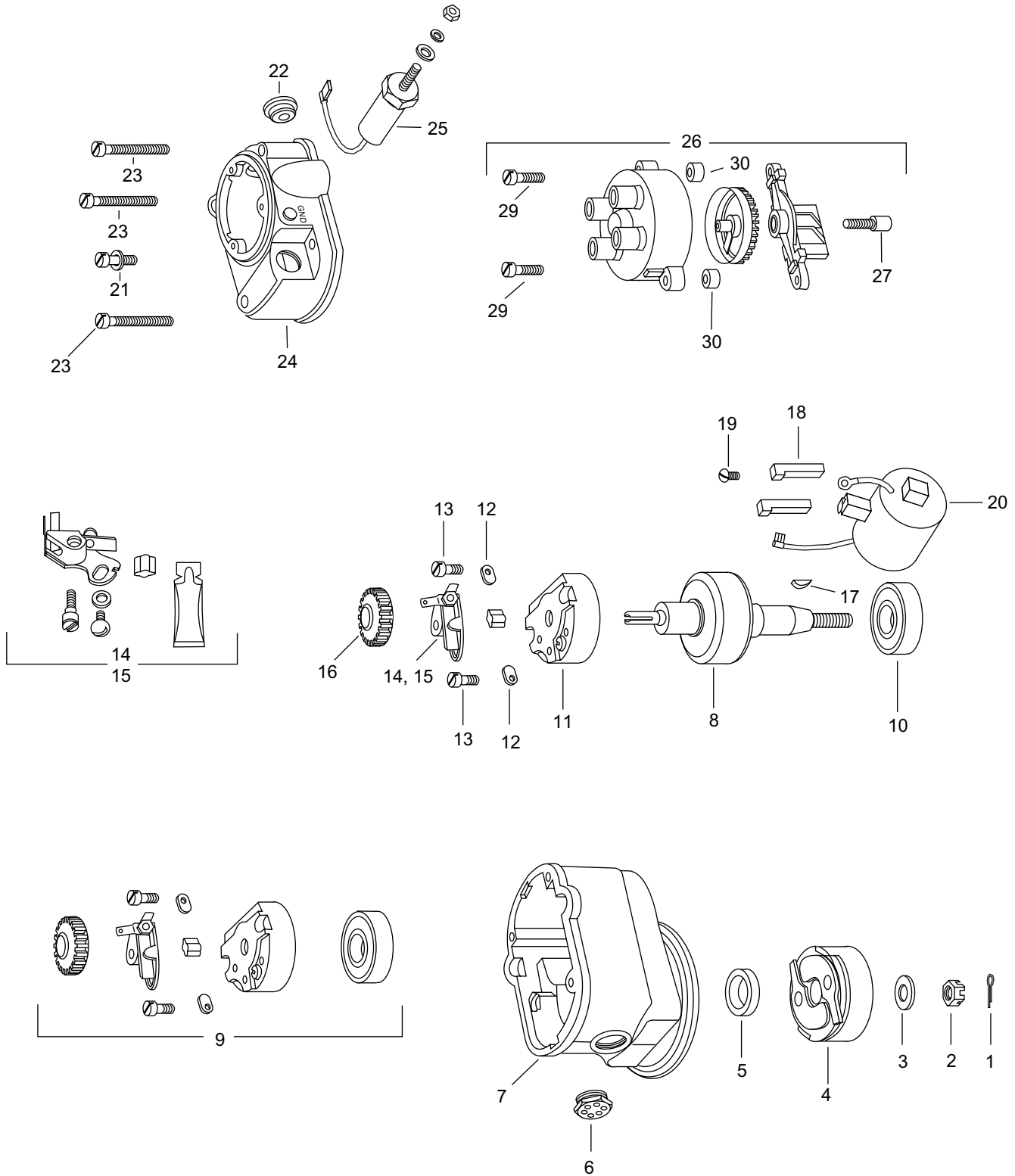
Ref. No.	Description	4347	4348	4353	4354	4370	4371	4372	4373	4374	4381	4392	Qty. Used
1	Cotter Pin	M2556	M2556	M2556	M2556	M2556	M2556	M2556	M2556	M2556	M2556	M2556	1
2	Nut	M3019	M3019	M3019	M3019	M3019	M3019	M3019	M3019	M3019	M3019	M3019	1
3	Washer	M3172	M3172	M3172	M3172	M3172	M3172	M3172	M3172	M3172	M3172	M3172	1
4	Impulse Coupling Assy.	-	-	-	M3529	-	M3163	M3100	M3529	M3689	M3007	M3939	1
5	Oil Seal	M3062	M3062	M3062	M3062	M3062	M3062	M3062	M3062	M3062	M3062	M3062	1
6	Air Vent	M1077	M1077	M1077	M1077	M1077	M1077	M1077	M1077	M1077	M1077	M1077	1
7	Frame	M3900	M3900	M3900	M3859	M3900	M3859	M3859	M3859	M3888	M3859	M3888	1
8	Rotor	M3548	M3512	M3548	M3158	M3548	M3158	M3158	M3158	M3065	M3158	M3065	1
9	Bearing Kit	K3301	K3301	K3301	K3301	K3318-4	K3318-4	K3318-4	K3318-4	K3318-4	K3318-4	K3318-4	1
10	Ball Bearing	M3006	M3006	M3006	M3006	M3006	M3006	M3006	M3006	M3006	M3006	M3006	1
11	Bearing Cap Assy.	K3630	K3630	K3630	K3630	K3485	K3485	K3485	K3485	K3485	K3485	K3485	1
12	Bearing Cap Clamp	M3018	M3018	M3018	M3018	M3018	M3018	M3018	M3018	M3018	M3018	M3018	2
13	Screw	M3221	M3221	M3221	M3221	M3221	M3221	M3221	M3221	M3221	M3221	M3221	2
14	Contact Point Primary	M3637	M3637	M3637	M3637	M3081	M3081	M3081	M3081	M3081	M3081	M3081	1
15	Contact Point Secondary	M3637	M3637	M3637	M3637	-	-	-	-	-	-	-	1
16	Rotor Gear	M3827	M3827	M3827	M3827	M3827	M3827	M3827	M3827	M3827	M3827	M3827	1
17	Woodruff Key	M2536	M2536	M2536	M2536	M2536	M2536	M2536	M2536	M2536	M2536	M2536	1
18	Coil Wedge	M3040	M3040	M3040	M3040	M3040	M3040	M3040	M3040	M3040	M3040	M3040	2
19	Screw	M3020	M3020	M3020	M3020	M3020	M3020	M3020	M3020	M3020	M3020	M3020	1
20	Coil	K3975	K3975	K3975	K3975	K3975	K3975	K3975	K3975	K3975	K3975	K3975	1
21	Screw	M3021	M3021	M3021	M3021	M3021	M3021	M3021	M3021	M3021	M3021	M3021	1
22	Air Vent with Hood	M3084	M3084	M3084	M3084	M3084	M3084	M3084	M3084	M3084	M3084	M3084	1
23	Screw	M3015	M3015	M3015	M3015	M3015	M3015	M3015	M3015	M3015	M3015	M3015	3
24	Housing, Distributor	M3832	M3832	M3832	M3832	M3902	M3902	M3902	M3902	M3902	M3902	M3902	1
25	Capacitor	K3984	K3984	K3984	K3984	K3984	K3984	K3984	K3984	K3984	K3984	K3984	1
26	Dist. Block & Gear Assy.	K3822	K3822	K3822	K3822	K3822	K3822	K3822	K3822	K3822	K3822	K3822	1
27	Carbon Brush	M3215	M3215	M3215	M3215	M3215	M3215	M3215	M3215	M3215	M3215	M3215	1
28	Deleted												
29	Screw	M3021	M3021	M3021	M3021	M3021	M3021	M3021	M3021	M3021	M3021	M3021	2
30	Spacer	M3826	M3826	M3826	M3826	M3826	M3826	M3826	M3826	M3826	M3826	M3826	2

ISSUED			REVISED		
MO	DAY	YR	MO	DAY	YR
04	01	91	02	28	06

**Unison Industries**  
 530 Blackhawk Park Avenue  
 Rockford, Illinois, U.S.A. 61104  
 ©2006 Unison Industries, Inc.

PAGE NO.	REVISION
T-3	C

**TABLE THREE**  
EXPLODED PARTS DIAGRAM  
4300 SERIES MAGNETO



ISSUED			REVISED		
MO	DAY	YR	MO	DAY	YR
04	01	91	02	28	06

**Unison Industries**  
530 Blackhawk Park Avenue  
Rockford, Illinois, U.S.A. 61104  
©2006 Unison Industries, Inc.

PAGE NO.	REVISION
T-4	C

**TABLE FOUR**  
**6300 SERIES OVERHAUL PARTS**  
**REPLACEMENT LIST**

**The following parts must be replaced at overhaul.** Additional parts may require replacement depending on conditions as determined during magneto inspection. Install only Unison Replacement Parts.

**Use only genuine Unison manufactured parts obtained from Unison approved sources.** Genuine Unison parts are produced and inspected under rigorous procedures to insure airworthiness and suitability in Slick magnetos. Parts purchased from sources other than Unison Industries, even though outwardly identical in appearance may not have had the required tests and inspections performed, may be different in fabrication techniques and materials, and may be dangerous when installed in a Slick magneto. Salvaged magneto parts, reworked parts obtained from non-Unison approved sources, or parts the service history of which is unknown or cannot be authenticated, may have been subjected to unacceptable stresses or temperatures, or have other hidden damage, not discernible through routine visual or usual nondestructive testing techniques. This may render service work with this part, even though originally manufactured by Unison Industries, unsuitable or unsafe for use in a Slick magneto. Unison Industries expressly disclaims any responsibility for malfunctions, failures, damage or injury caused by use of non-Unison approved parts.

Slick magnetos are engineered to that mechanical parts wear at a balanced rate. Consistent and complimentary wear patterns establish the recommended maintenance intervals defined in Unison service literature, therefore used, service worn parts should never be used to troubleshoot or repair a magneto, not should original parts be replaced by used service worn parts on magnetos being returned to service. Further, non-Unison manufactured parts may wear at uneven and different rates than original Unison manufactured parts, making Unison service literature an inappropriate guide to proper maintenance. Parts not manufactured by Unison Industries, even if FAA/PMA Approved may not fit or operate like original Unison manufactured parts. FAA testing of PMA parts does not require operation on an engine or flight tests and does not require the test duration to exceed the maintenance intervals called out in Unison literature. For these reasons, used service worn parts or parts not manufactured by Unison Industries may adversely affect magneto reliability in ways not anticipated by Unison Industries and its service literature.

<u>Description</u>	<u>Qty</u>
Condenser	1
Double Shielded Bearing	1
Bearing Cap Assembly	1
Coil	1
Impulse Coupling	1
Oil Seal	1
Contact Point	1
Rotor Gear	1
Distributor Block & Gear	1

**PRESSURIZED MAGNETOS:**

In addition to above parts, the following components must be replaced at every overhaul.

Pressurized Magneto Kit	1
Round Head Screw	1
Round Head Screw	3
Frame Gasket	1
Housing Screw	4
Harness Cap 'O' Ring	1

Reference Table Five "Parts Listing" for correct part number for a specified model magneto.

ISSUED			REVISED		
MO	DAY	YR	MO	DAY	YR
04	01	91	02	28	06

**Unison Industries**  
 530 Blackhawk Park Avenue  
 Rockford, Illinois, U.S.A. 61104  
 ©2006 Unison Industries, Inc.

PAGE NO.	REVISION
T-5	C

**TABLE FIVE**  
**6300 SERVICE PARTS LIST**  
 (Sheet 1 of 3)

Ref. No.	Description	6309	6310	6313	6314	6320	6324	6331	6340	6350	6351	6355	Qty. Used
1	Cotter Pin	M2556	M2556	M2556	M2556	M2556	M2556	M2556	M2556	M2556	M2556	M2556	1
2	Nut	M3019	M3019	M3019	M3019	M3019	M3019	M3019	M3019	M3019	M3019	M3019	1
3	Washer	M3172	M3172	M3172	M3172	M3172	M3172	-	-	-	-	-	1
4	Impulse Coupling Assy.	-	M3050	-	M3089	M3050	M3089	M3800	-	-	M3333	M3635	1
5	Oil Seal	M3062	M3062	M3062	M3062	M3062	M3062	M3331	M331	M3331	M3331	M3331	1
6	Pressure Vent Plug	-	-	-	-	M3179	M3179	M3179	M3179	-	-	-	1
7	Air Vent	M1077	M1077	M1077	M1077	-	-	-	-	M1077	M1077	M1077	1
8	Frame	M3946	M3837	M3946	M3847	M3837	M3847	M3888	M3900	M3900	M3859	M3859	1
9	Gasket Pressure kit	-	-	-	-	K3307	K3307	K3307	K3307	-	-	-	1
10	Ball Bearing	M3006	M3006	M3006	M3006	M3006	M3006	M3006	M3006	M3006	M3006	M3006	1
11	Rotor	M3914	M3047	M3914	M3093	M3047	M3093	M3792	M5618	M5617	M3327	M3416	1
12	Bearing Cap Assy.	M3630	M3485	M3485	M3485	M3485	M3485	M3485	M3485	M3485	M3485	M3485	1
13	Bearing Cap Clamp	M3018	M3018	M3018	M3018	M3018	M3018	M3018	M3018	M3018	M3018	M3018	2
14	Screw	M3221	M3221	M3221	M3221	M3221	M3221	M3221	M3221	M3221	M3221	M3221	2
15	Contact Point Primary	M3637	M3081	M3081	M3081	M3081	M3081	M3081	M3081	M3081	M3081	M3081	1
16	Contact Point Secondary	M3637	-	-	-	-	-	-	-	-	-	-	1
17	Rotor Gear	M3828	M3828	M3828	M3828	M3828	M3828	M3828	M3828	M3828	M3828	M3828	1
18	Woodruff Key	M2536	M2536	M2536	M2536	M2536	M2536	M2536	M2536	M2536	M2536	M2536	1*
19	Coil Wedge	M3040	M3040	M3040	M3040	M3040	M3040	M3040	M3040	M3040	M3040	M3040	2
20	Screw	M3020	M3020	M3020	M3020	M3020	M3020	M3020	M3020	M3020	M3020	M3020	1
21	Coil	K3975	K3975	K3975	K3975	K3975	K3975	K3975	K3975	K3975	K3975	K3975	1
22	Screw	M3021	M3021	M3021	M3021	-	-	-	-	M3021	M3021	M3021	1
23	Adapter	-	-	-	-	-	-	-	-	-	-	-	1
24	Screw	-	-	-	-	-	-	-	-	-	-	-	3
25	Pressure Tube Fitting	-	-	-	-	M3180	M3180	M1280	M1280	-	-	-	1
26	Air Vent with Hood	M3084	M3084	M3084	M3084	-	-	-	-	M3084	M3084	M3084	1
27	Screw	M3015	M3015	M3015	M3015	-	-	-	-	M3015	M3015	M3015	3
28	Housing, Distributor	M3832	M3902	M3902	M3902	M3902	M3902	M3902	M3902	M3902	M3902	M3902	1
29	Capacitor	K3984	K3984	K3984	K3984	K3984	K3984	K3984	K3984	K3984	K3984	K3984	1
30	Dist. Block & Gear Assy.	K3823	K3823	K3823	K3823	K3823	K3823	K3823	K3823	K3823	K3823	K3823	1
31	Deleted												
32	Bearing Kit	K3630	K3320	K3320	K3320	K3320	K3320	K3319	K3319	K3319	K3319	K3319	1
33	Carbon Brush	M3215	M3215	M3215	M3215	M3215	M3215	M3215	M3215	M3215	M3215	M3215	1
34	Screw	M3021	M3021	M3021	M3021	M3021	M3021	M3021	M3021	M3021	M3021	M3021	2
35	Spacer	M3826	M3826	M3826	M3826	M3826	M3826	M3826	M3826	M3826	M3826	M3826	2

\* Models 6331, 6340, 6350, 6351, 6355, 6360, 6361, 6363, 6365, 6371, 6390, 6391, and 6394 use Qty 2 Woodruff Keys.

ISSUED			REVISED		
MO	DAY	YR	MO	DAY	YR
04	01	91	02	28	06

**Unison Industries**  
 530 Blackhawk Park Avenue  
 Rockford, Illinois, U.S.A. 61104  
 ©2006 Unison Industries, Inc.

PAGE NO.	REVISION
T-6	C

**TABLE FIVE**  
**6300 SERVICE PARTS LIST**  
 (Sheet 2 of 3)

Ref. No.	Description	6360	6361	6362	6363	6364	6365	6367	6371	6377	6379	6380	Qty. Used
1	Cotter Pin	M2556	M2556	M2556	M2556	M2556	M2556	M2556	M2556	M2556	M2556	M2556	1
2	Nut	M3019	M3019	M3019	M3019	M3492	M3019	M3492	M3019	M3019	M3019	M3019	1
3	Washer	-	-	M3172	-	-	-	-	-	M3172	M3172	M3172	1
4	Impulse Coupling Assy.	-	M3333	M3050	-	M3590	-	M3524	-	M5014	M5020	M3050	1
5	Oil Seal	M3331	M3331	M3062	M3331	M3062	M3331	M3062	M3331	M3062	M3062	M3062	1
6	Pressure Vent Plug	M3179	M3179	-	M3179	-	M3179	-	-	-	-	-	1
7	Air Vent	-	-	M1077	-	M1077	-	M1077	M1077	M1077	M1077	M1968	1
8	Frame	M3900	M3859	M3837	M3900	M3853	M3900	M3856	M3900	M3859	M3859	M3850	1
9	Gasket Pressure kit	K3307	K3307	-	K3307	-	K3307	-	-	-	-	-	1
10	Ball Bearing	M3006	M3006	M3006	M3006	M3006	M3006	M3006	M3006	M3006	M3006	M3006	1
11	Rotor	M5617	M3327	M3047	M5617	M3496	M5617	M3499	M5617	M5015	M5015	M3047	1
12	Bearing Cap Assy.	M3485	M3485	M3485	M3630	M3485	M3630	M3485	M3630	M3485	M3485	M3485	1
13	Bearing Cap Clamp	M3018	M3018	M3018	M3018	M3018	M3018	M3018	M3018	M3018	M3018	M3018	2
14	Screw	M3221	M3221	M3221	M3221	M3221	M3221	M3221	M3221	M3221	M3221	M3221	2
15	Contact Point Primary	M3081	M3081	M3081	M3637	M3081	M3637	M3081	M3637	M3081	M3081	M3081	1
16	Contact Point Secondary	-	-	-	M3637	-	M3637	-	M3637	-	-	-	1
17	Rotor Gear	M3828	M3828	M3828	M3828	M3828	M3828	M3828	M3828	M3828	M3828	M3828	1
18	Woodruff Key	M2536	M2536	M2536	M2536	M2536	M2536	M2536	M2536	M2536	M2536	M2536	1*
19	Coil Wedge	M3040	M3040	M3040	M3040	M3040	M3040	M3040	M3040	M3040	M3040	M3040	2
20	Screw	M3020	M3020	M3020	M3020	M3020	M3020	M3020	M3020	M3020	M3020	M3020	1
21	Coil	K3975	K3975	K3975	K3975	K3975	K3975	K3975	K3975	K3975	K3975	K3975	1
22	Screw	-	-	M3021	-	M3021	-	M3021	M3021	M3021	M3021	M3021	1
23	Adapter	-	-	M3154	-	-	-	-	-	-	-	-	1
24	Screw	-	-	M3125	-	-	-	-	-	-	-	-	3
25	Pressure Tube Fitting	M1280	M1280	-	M1280	-	M1280	-	-	-	-	-	1
26	Air Vent with Hood	-	-	M3084	-	M3084	-	M3084	M3084	M3084	M3084	M3084	1
27	Screw	-	-	M3015	-	M3015	-	M3015	M3015	M3015	M3015	M3015	3
28	Housing, Distributor	M3902	M3902	M3902	M3832	M3902	M3832	M3902	M3902	M3902	M3902	M3902	1
29	Capacitor	K3984	K3984	K3984	K3984	K3984	K3984	K3984	K3984	K3984	K3984	K3984	1
30	Dist. Block & Gear Assy.	K3823	K3823	K3823	K3823	K3823	K3823	K3823	K3823	K3823	K3823	K3823	1
31	Deleted												
32	Bearing Kit	K3319	K3319	K3320	K3302	K3320	K3302	K3320	K3302	K3320	K3320	K3320	1
33	Carbon Brush	M3215	M3215	M3215	M3215	M3215	M3215	M3215	M3215	M3215	M3215	M3215	1
34	Screw	M3021	M3021	M3021	M3021	M3021	M3021	M3021	M3021	M3021	M3021	M3021	2
35	Spacer	M3826	M3826	M3826	M3826	M3826	M3826	M3826	M3826	M3826	M3826	M3826	2

\* Models 6331, 6340, 6350, 6351, 6355, 6360, 6361, 6363, 6365, 6371, 6390, 6391, and 6394 use Qty 2 Woodruff Keys.

ISSUED			REVISED		
MO	DAY	YR	MO	DAY	YR
04	01	91	02	28	06

**Unison Industries**  
 530 Blackhawk Park Avenue  
 Rockford, Illinois, U.S.A. 61104  
 ©2006 Unison Industries, Inc.

PAGE NO.	REVISION
T-7	C

**TABLE FIVE**  
**6300 SERVICE PARTS LIST**  
 (Sheet 3 of 3)

Ref. No.	Description	6382	6390	6391	6393	6394	6399	Qty. Used
1	Cotter Pin	M2556	M2556	M2556	M2556	M2556	M2556	1
2	Nut	M3019	M3019	M3019	M3019	M3019	M3019	1
3	Washer	M3172	-	-	-	-	M3172	1
4	Impulse Coupling Assy.	M3050	-	-	-	-	M3939	1
5	Oil Seal	M3062	M3331	M3331	M3331	M3331	M3062	1
6	Pressure Vent Plug	-	-	M3179	-	M3179	-	1
7	Air Vent	M1968	M1077	-	M1077	-	M1077	1
8	Frame	M3850	M3900	M3900	M3900	M3900	M3972	1
9	Gasket Pressure kit	-	-	K3307	-	K3307	-	1
10	Ball Bearing	M3006	M3006	M3006	M3006	M3006	M3006	1
11	Rotor	M3047	M5617	M5618	M5617	M5618	M3948	1
12	Bearing Cap Assy.	M3485	M3630	M3630	M3630	M3630	M3485	1
13	Bearing Cap Clamp	M3018	M3018	M3018	M3018	M3018	M3018	2
14	Screw	M3221	M3221	M3221	M3221	M3221	M3221	2
15	Contact Point Primary	M3081	M3637	M3637	M3637	M3637	M3081	1
16	Contact Point Secondary	-	M3740	M3637	M3637	M3637	-	1
17	Rotor Gear	M3828	M3828	M3828	M3828	M3828	M3828	1
18	Woodruff Key	M2536	M2536	M2536	M2536	M2536	M2536	1*
19	Coil Wedge	M3040	M3040	M3040	M3040	M3040	M3040	2
20	Screw	M3020	M3020	M3020	M3020	M3020	M3020	1
21	Coil	K3975	K3975	K3975	K3975	K3975	K3975	1
22	Screw	M3021	M3021	-	M3021	-	M3021	1
23	Adapter	M3154	-	-	-	-	-	1
24	Screw	M3125	-	-	-	-	-	3
25	Pressure Tube Fitting	-	-	M1280	-	M1280	-	1
26	Air Vent with Hood	M3084	M3084	-	M3084	-	M3084	1
27	Screw	M3015	M3015	-	M3015	-	M3015	3
28	Housing, Distributor	M3902	M3874	M3832	M3832	M3832	M3902	1
29	Capacitor	K3984	K3984	K3984	K3984	K3984	K3984	1
30	Dist. Block & Gear Assy.	K3823	K3823	K3823	K3823	K3823	K3823	1
31	Deleted							
32	Bearing Kit	K3320	K3302	K3302	K3302	K3302	K3320	1
33	Carbon Brush	M3215	M3215	M3215	M3215	M3215	M3215	1
34	Screw	M3021	M3021	M3021	M3021	M3021	M3021	2
35	Spacer	M3826	M3826	M3826	M3826	M3826	M3826	2

\* Models 6331, 6340, 6350, 6351, 6355, 6360, 6361, 6363, 6365, 6371, 6390, 6391, and 6394 use Qty 2 Woodruff Keys.

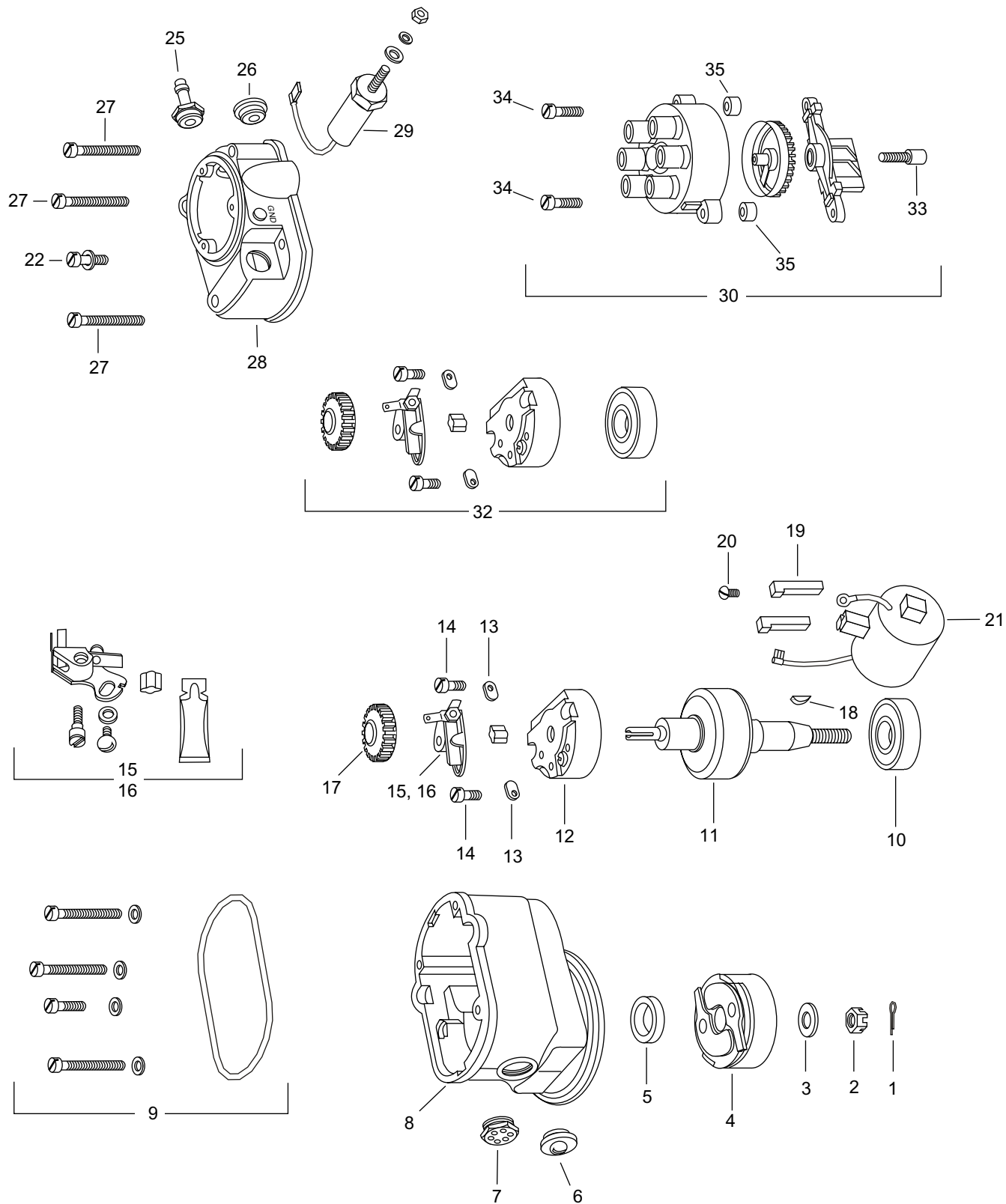
ISSUED			REVISED		
MO	DAY	YR	MO	DAY	YR
04	01	91	02	28	06

**Unison Industries**  
 530 Blackhawk Park Avenue  
 Rockford, Illinois, U.S.A. 61104  
 ©2006 Unison Industries, Inc.

PAGE NO.	REVISION
T-8	C



**TABLE SIX**  
EXPLODED PARTS DIAGRAM  
6300 SERIES MAGNETO



ISSUED			REVISED		
MO	DAY	YR	MO	DAY	YR
04	01	91	02	28	06

**Unison Industries**  
530 Blackhawk Park Avenue  
Rockford, Illinois, U.S.A. 61104  
©2006 Unison Industries, Inc.

PAGE NO.	REVISION
T-9	C